

# NR - MS 20

48V Magnetschienensystem



geeignet für Wohnvillen, Hotelclubs,  
Unterhaltungsstätten oder Werbung  
Ausstellungen usw.

 **MAGNETISCH  
SCHIENE  
20MM DC48V**

**12** **FACHMANN  
OPTIK**

## SCHEINWERFERMODUL

30mm Spotlight/42mm Spotlight/52mm Spotlight/62mm Spotlight/45mm ZoomSpotlight/55mm Zoom Spotlight/65mm Zoom Spotlight

## DEKORATIVES MODUL

Sonnenuntergangslicht / Wassertropfenlicht / Kugellicht / 30mm Rundrohrlicht / 30mm Strahler / 50mm Strahler

## LINEARES MODUL

25 Leuchte rund/ Rundrohr mit Querschiene/ Leuchte quadratisch Einbau/ Gitterrost winkelverstellbar/ Diffusor/ Prismatisch/ Asymmetrisch/ Doppelt asymmetrisch/ Gitter

**24**  
Modul

**12**  
Optik

**DALI-2+PUSH**

**tuya**

**CASAMBI**

  
NR  
LICHT



# NR-MS 20

24-48V magnetic track system

# Product Overview

## Spotlights Module



MS20SZ-22  
φ22\*46mm  
2W

MS20S-30  
φ30\*55mm  
3W

MS20S-42  
φ42\*68mm  
6W

MS20S-52  
φ52\*95mm  
10W

MS20S-62  
φ62\*145mm  
15W



MS20SZ-45  
φ45\*100mm  
5W

MS20SZ-55  
φ55\*115mm  
8W

MS20SZ-65  
φ65\*135mm  
12W

MS20SL-45  
φ45\*100mm  
10W

## Linear Module



MS20FD  
23\*41\*300mm 7W  
23\*41\*600mm 14W  
23\*41\*900mm 20W

MS20FP  
23\*41\*300mm 7W  
23\*41\*600mm 14W  
23\*41\*900mm 20W

MS20LA  
23\*41\*300mm 7W  
23\*41\*600mm 14W  
23\*41\*900mm 20W

MS20LS  
23\*41\*300mm 7W  
23\*41\*600mm 14W  
23\*41\*900mm 20W

MS20G  
23\*41\*113mm 6W  
23\*41\*221mm 12W  
23\*41\*436mm 24W



MS20G(A)  
23\*104\*110mm 6W  
23\*104\*220mm 12W

MS20FD(A)  
23\*104\*110mm 5W  
23\*104\*220mm 10W

MS20GW  
23\*70\*600mm 10W  
23\*70\*1000mm 15W  
23\*70\*1200mm 20W

MS20CD  
φ30\*600mm 12W  
φ30\*900mm 18W  
φ30\*1200mm 24W

MS20CD(A)  
φ30\*600mm 12W  
φ30\*900mm 18W  
φ30\*1200mm 24W



MS20NK-25  
φ25\*1000mm 12W  
φ25\*2500mm 30W  
φ25\*5000mm 60W

MS20NK-27  
φ24.2\*26.6\*1008mm 9W  
φ24.2\*26.6\*1508mm 14W  
φ24.2\*26.6\*5008mm 45W

## Decorative Module



MT20I-30  
φ30\*300mm  
5W

MT20I-50  
φ50\*300mm  
5W

MT20IJ-30  
φ30\*530mm  
7W

MT20IW-40  
φ40\*100mm  
3W



MT20SS-55  
φ55\*208mm  
3W

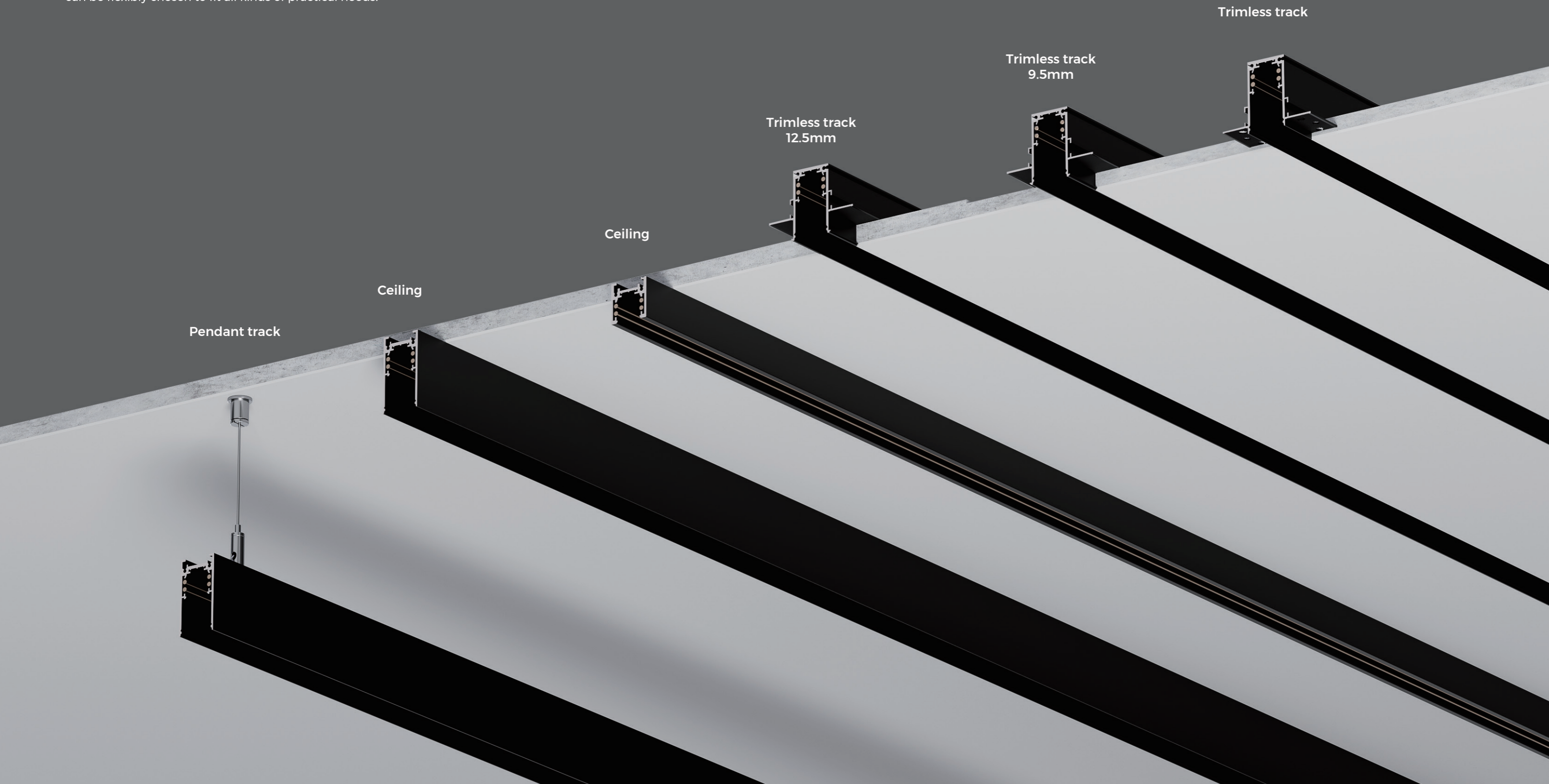
MT20IB-110  
φ110mm  
5W

MT20IB-110(B)  
φ110mm  
5W

# Type of track

## Straight track

It supports including pendant, ceiling and recessed installation, can be flexibly chosen to fit all kinds of practical needs.



## 3CCT Dial-switch

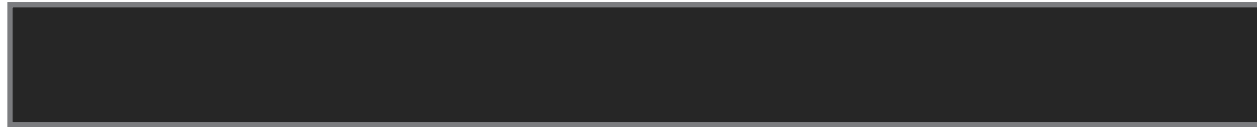
3000 K 4000 K 5000 K



All-metal housing  
Minimalist appearance

# Adaptive Voltage 24-48V

24V Magnetic Track



48V Magnetic Track



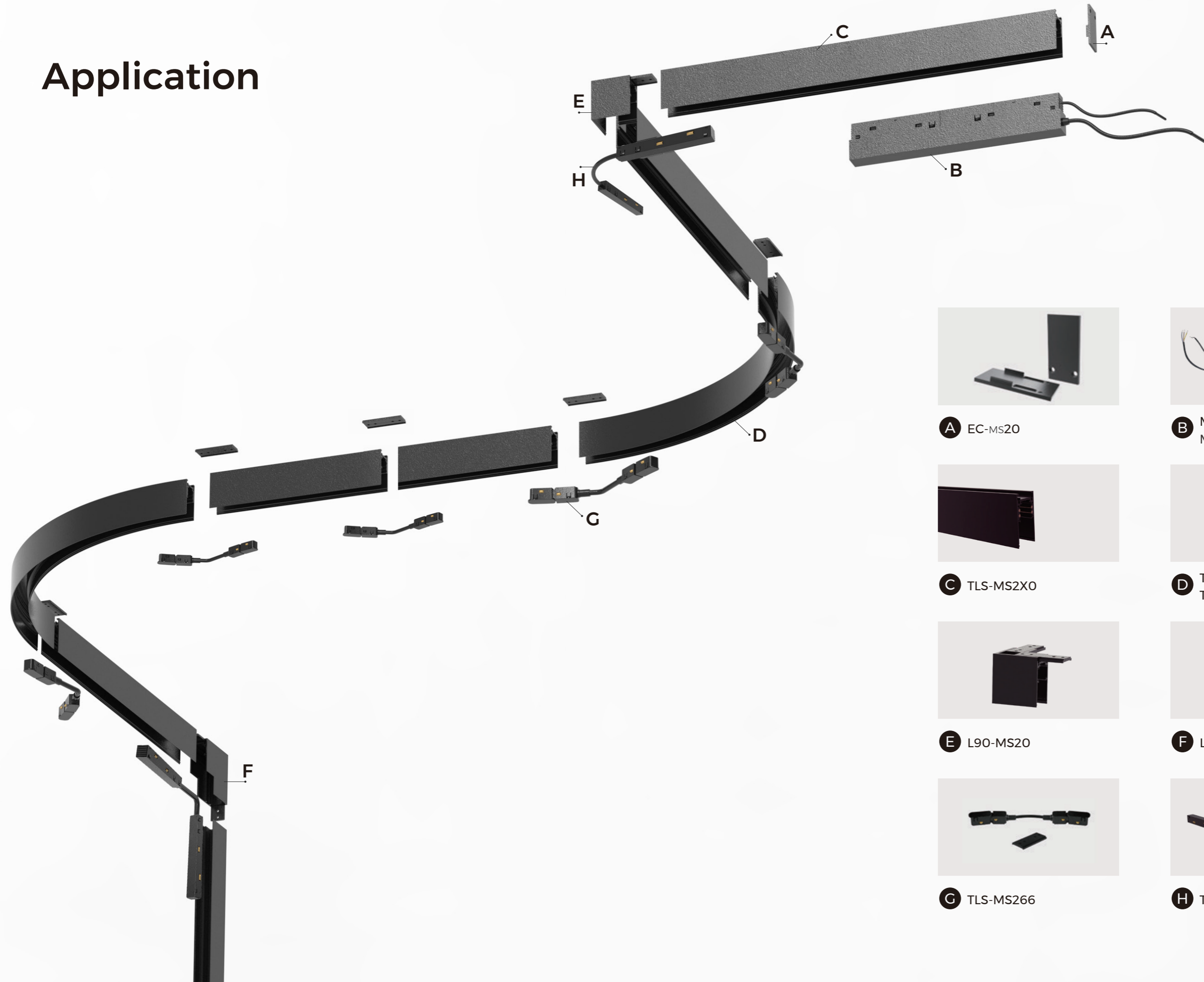
# Custom texts/patterns – your call



LOGO



# Application



**A** EC-MS20



**B** MS20-NRRV100H48S-M/  
MS20-NRRV200H48S-M



**C** TLS-MS2X0



**D** TLS-MS208A90/  
TLS-MS210A90/TLS-MH212A90



**E** L90-MS20



**F** L90N-MS20



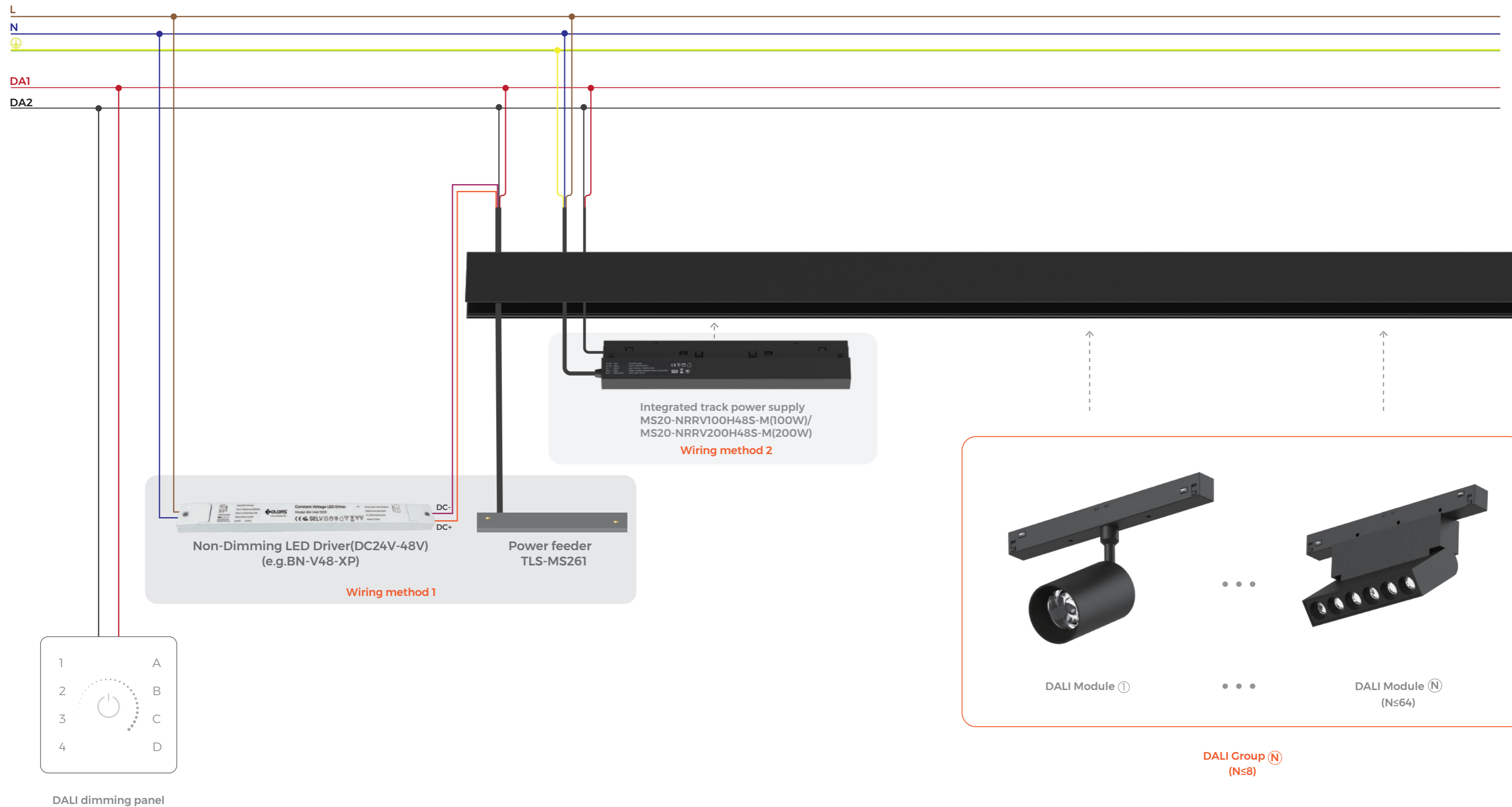
**G** TLS-MS266



**H** TLS-MS264

# DALI Control Applications

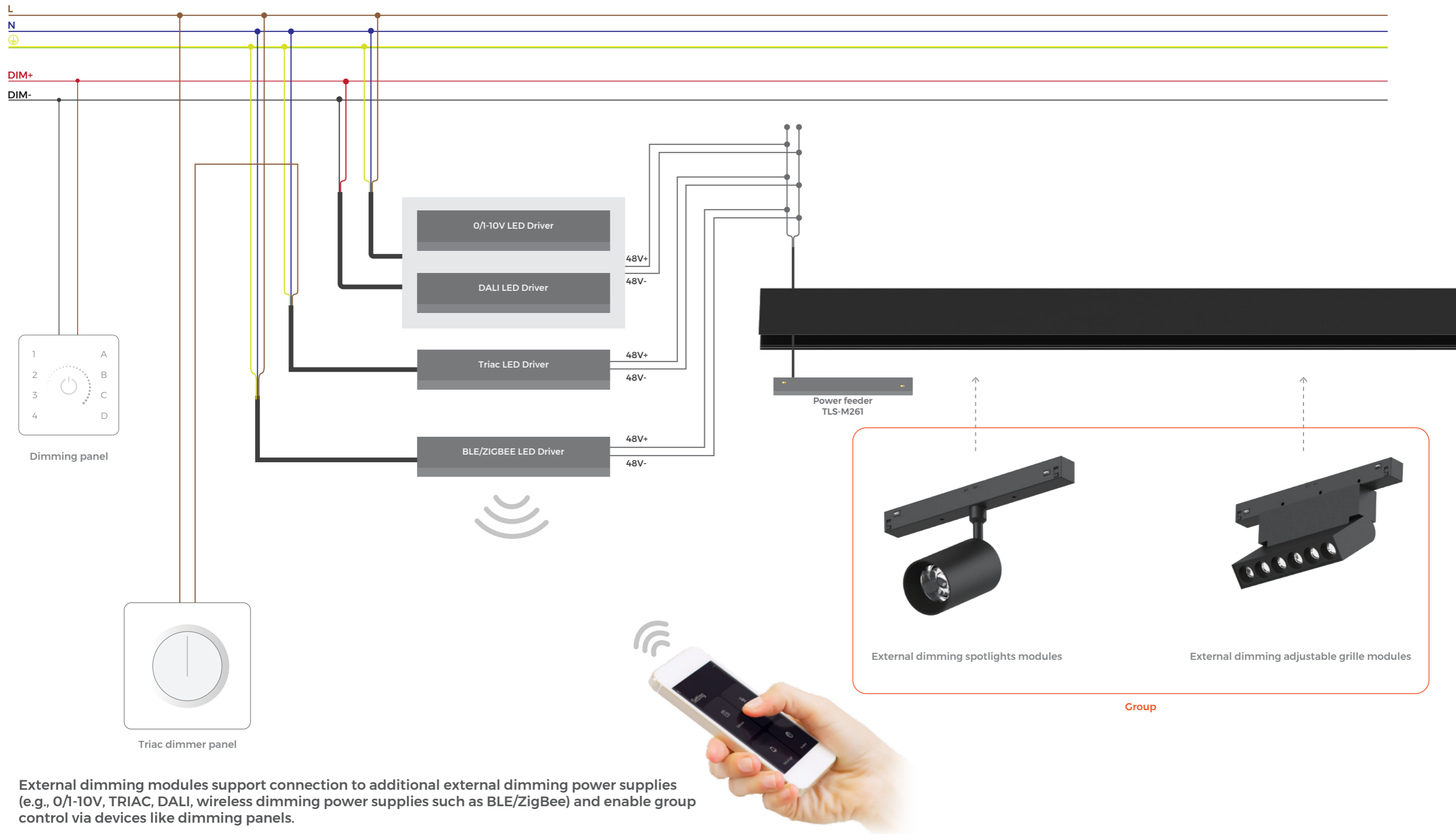
Single control/ Group control



Control individual DALI track modules or groups via the DALI control panel.

# External dimming Applications

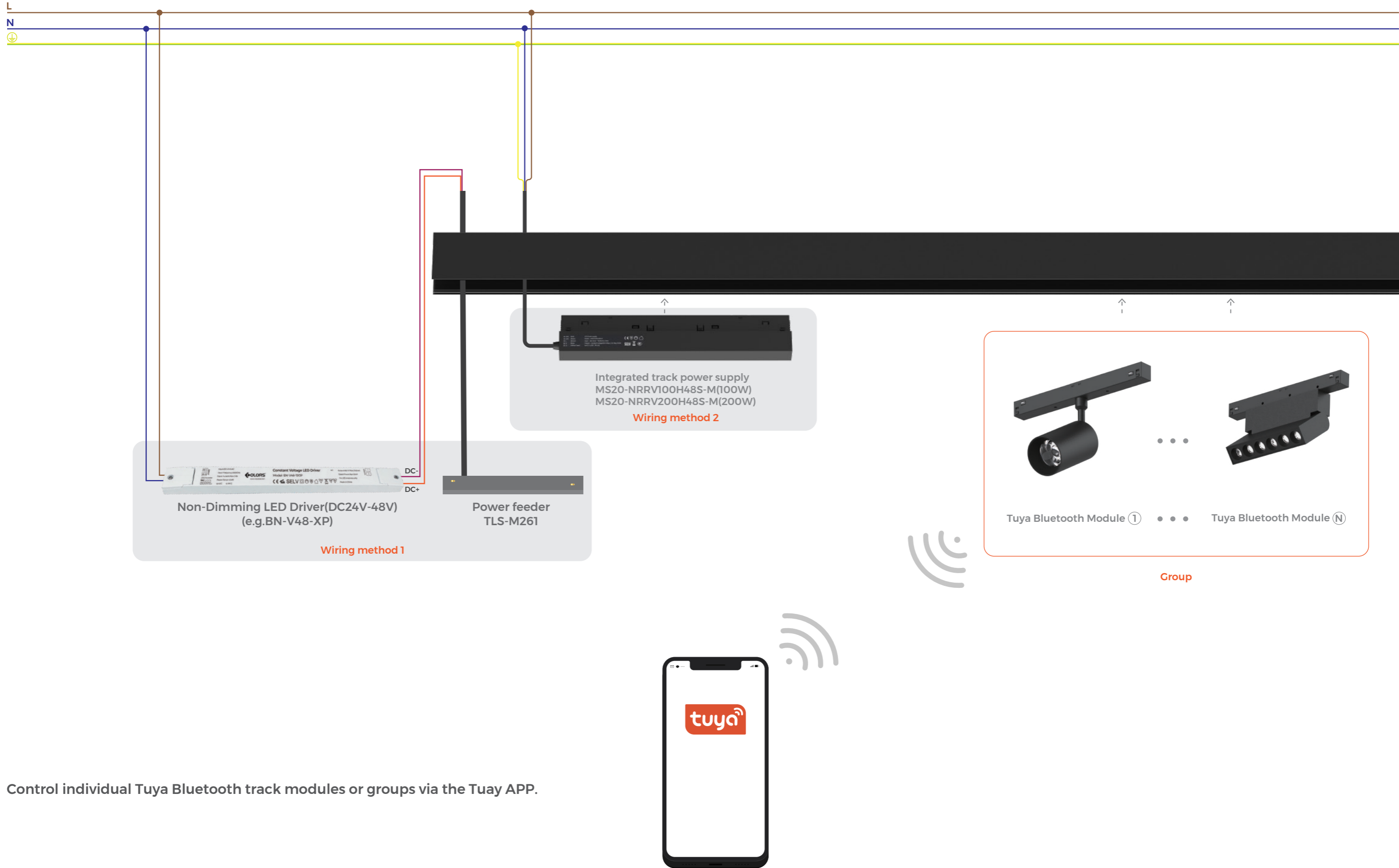
Group control



External dimming modules support connection to additional external dimming power supplies (e.g., 0/1-10V, TRIAC, DALI, wireless dimming power supplies such as BLE/ZigBee) and enable group control via devices like dimming panels.

# Tuya Bluetooth Wireless Control Applications

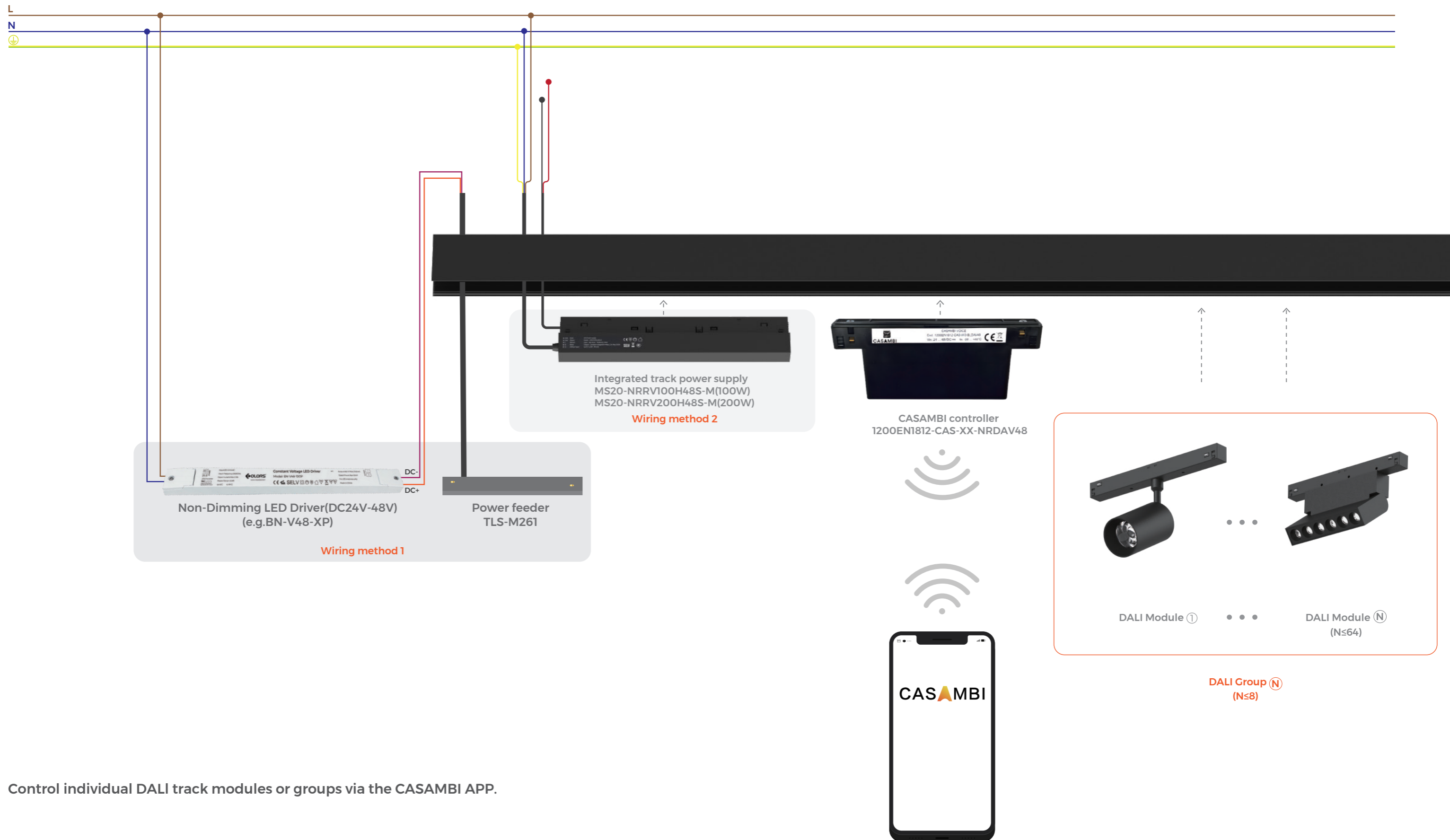
Single control/ Group control



Control individual Tuya Bluetooth track modules or groups via the Tuay APP.

# CASAMBI Bluetooth Wireless Control Applications

Single control/ Group control

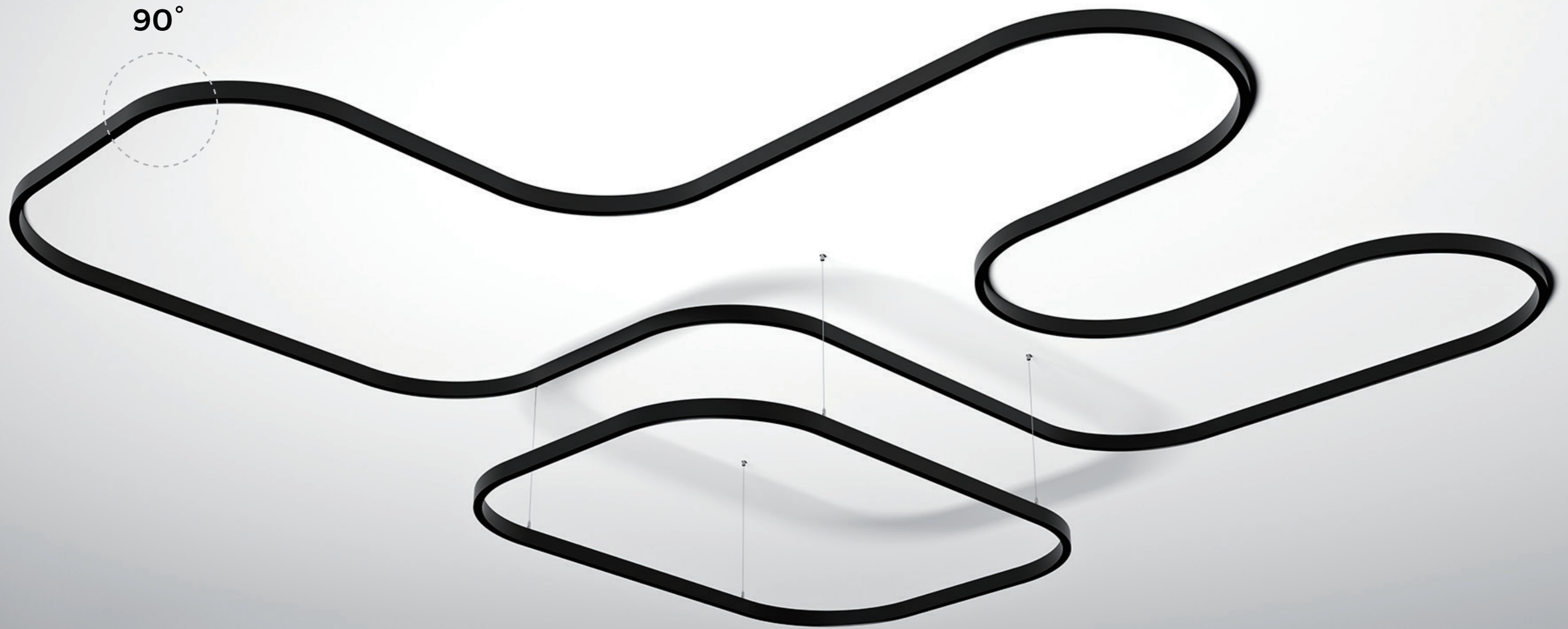


Control individual DALI track modules or groups via the CASAMBI APP.

# Curved track

The rotation angle is 90 degrees

🌀 | Type of track



# Curved track

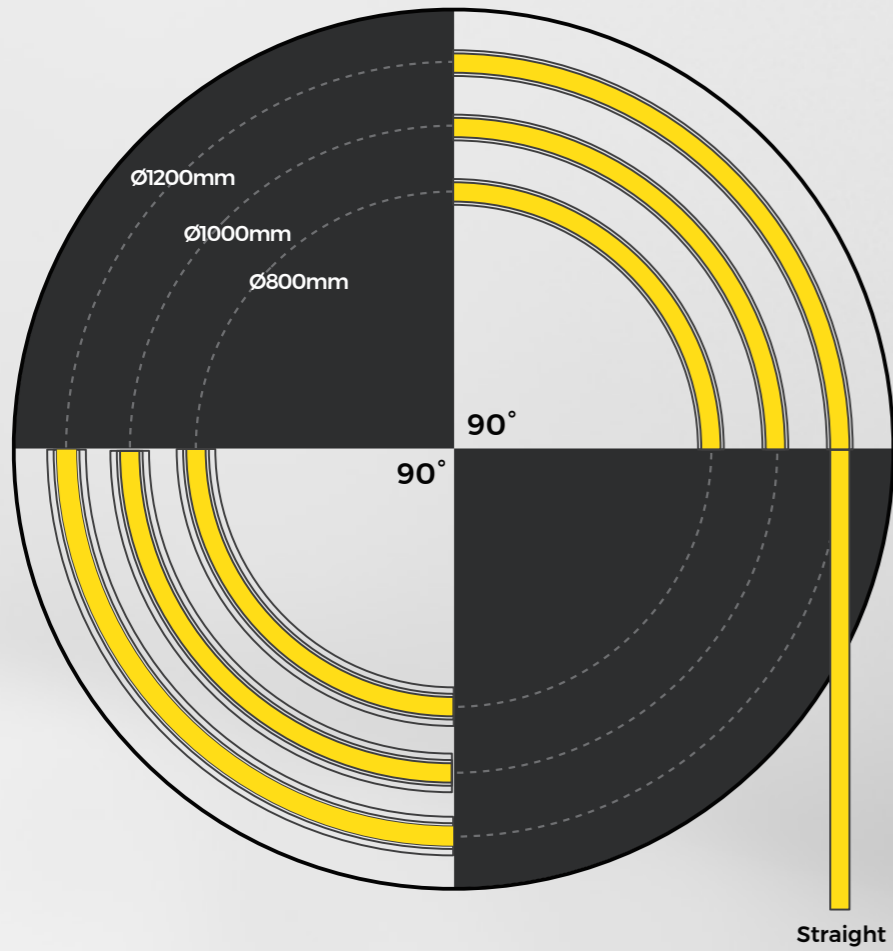
Combine with straight track for more possibilities

© | Type of track



Trimless track  
(12.5mm)

Pendant track



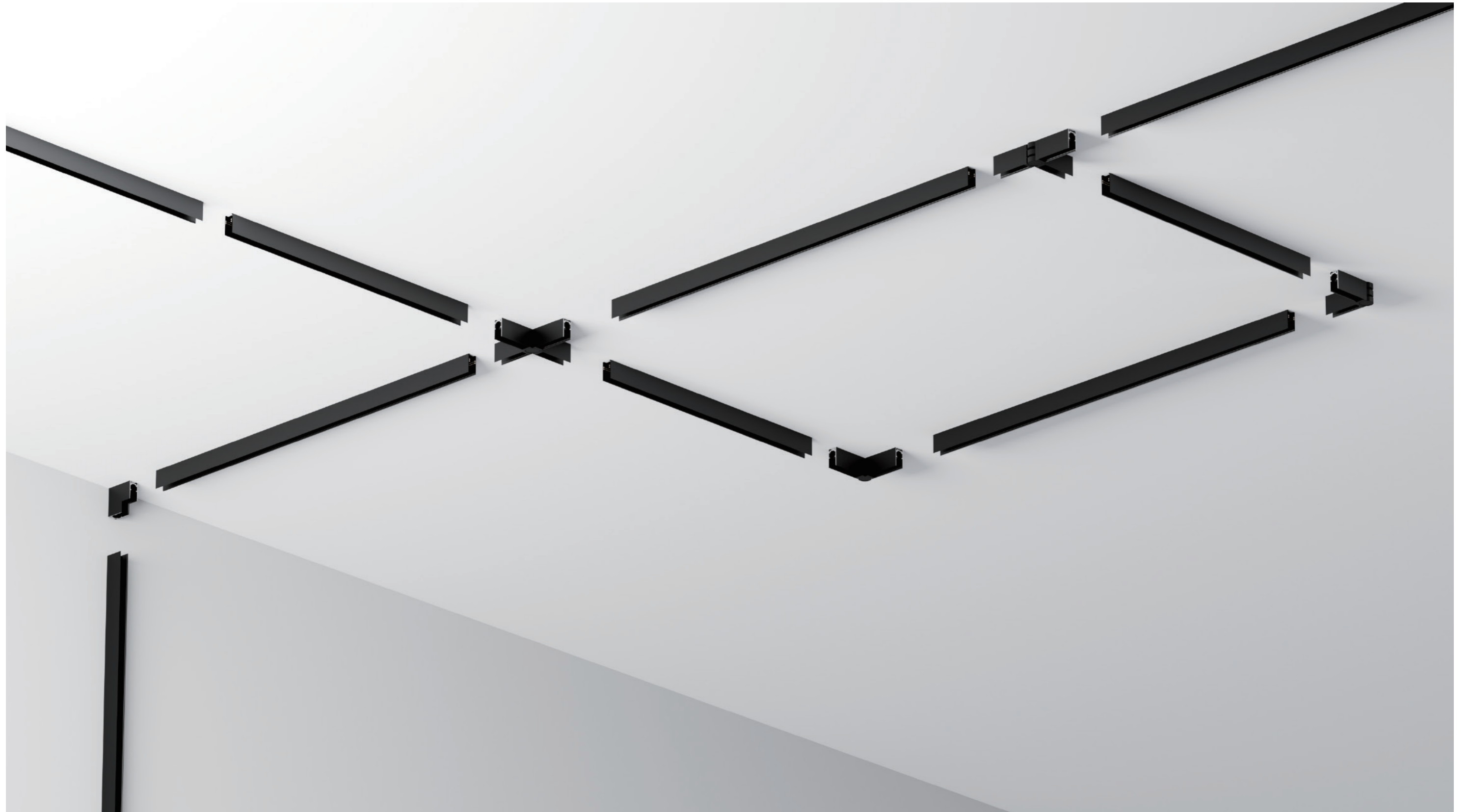
# Variety of designs

Straight lines and curves shuttle freely to realize various shapes and designs.



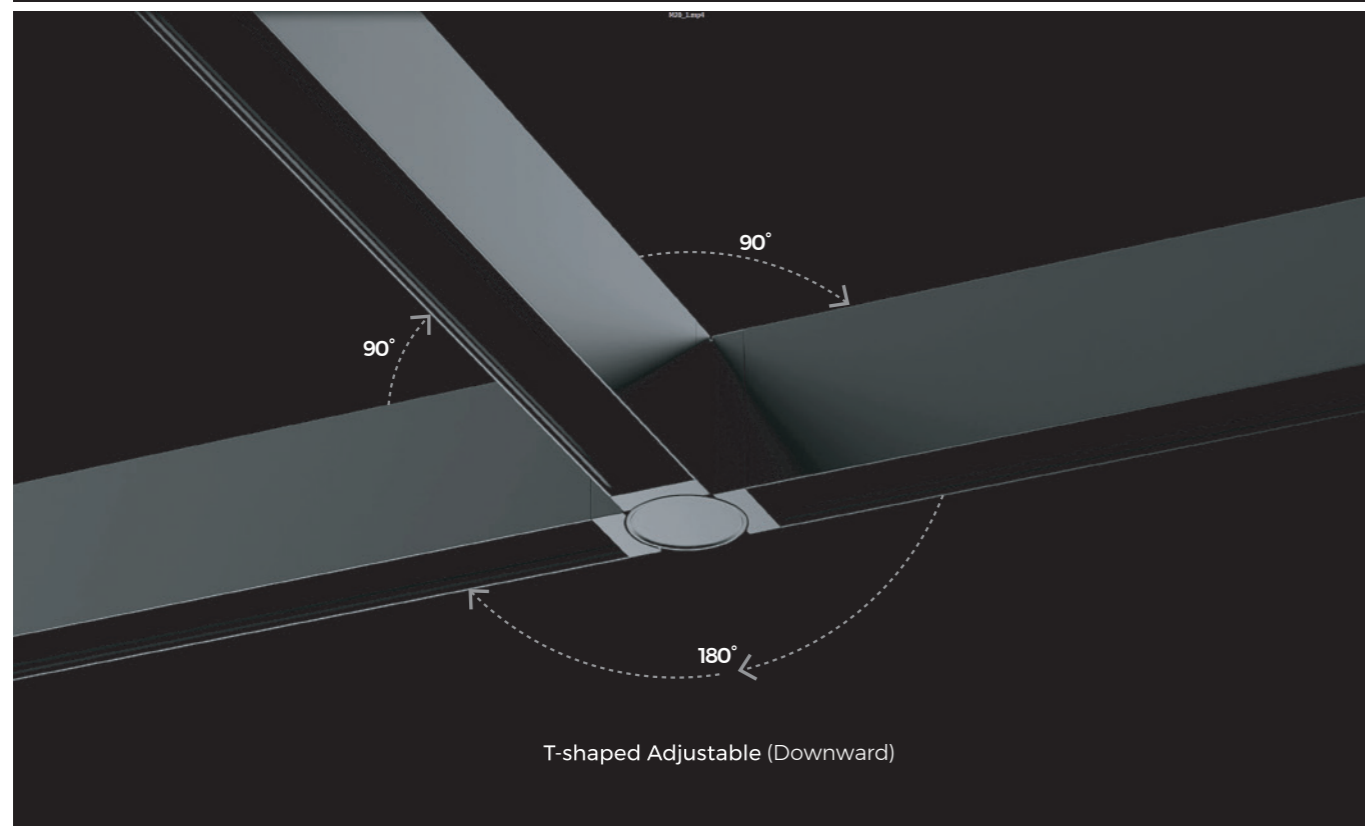
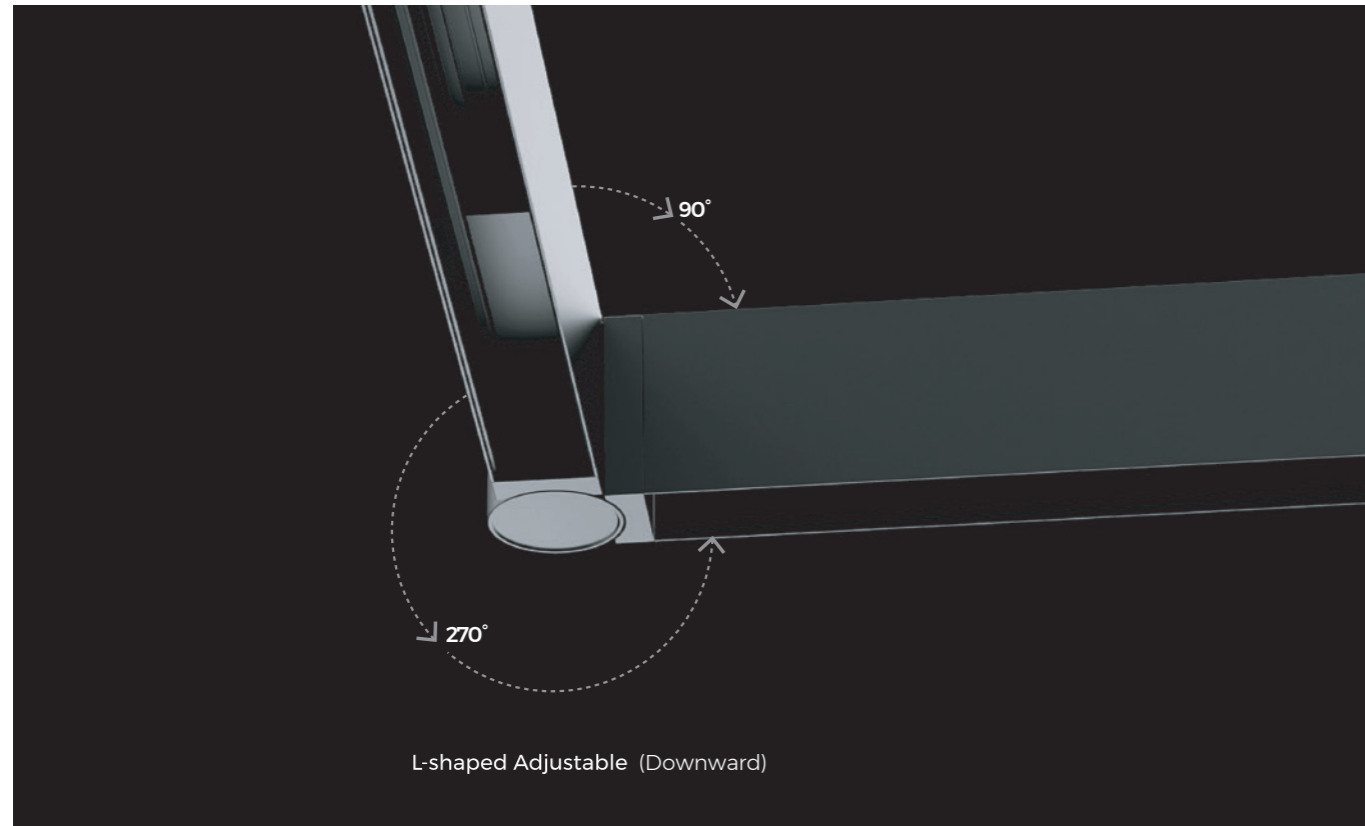
# Standard connector

13 finished accessories, no need to cut, can achieve seamless splicing



# Straight corners

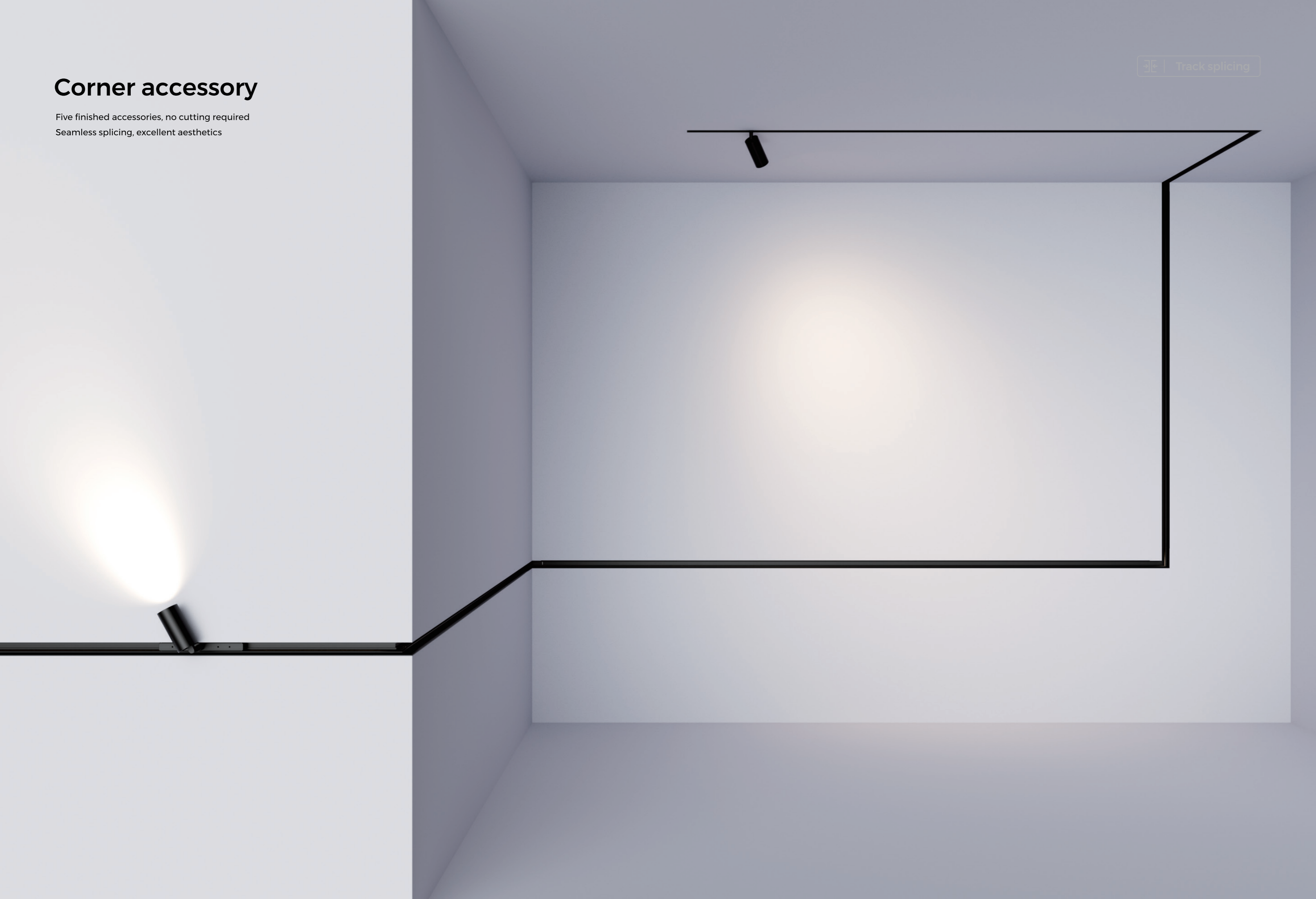
L-shaped, T-shaped and X-shaped corners can be realized, and the angle can be adjusted to achieve more possibilities.



# Corner accessory

Five finished accessories, no cutting required  
Seamless splicing, excellent aesthetics

Track splicing

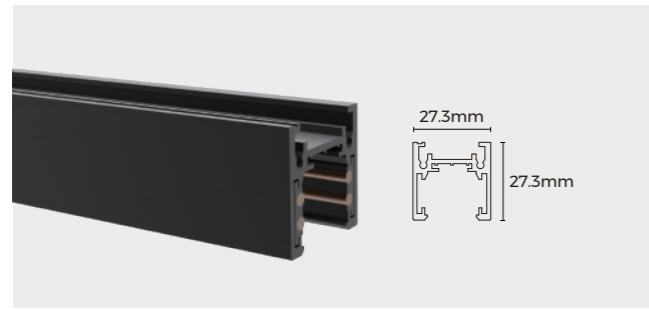


# Systematic lighting, Effortless assembly



## Straight Track

Ceiling / Pendant track

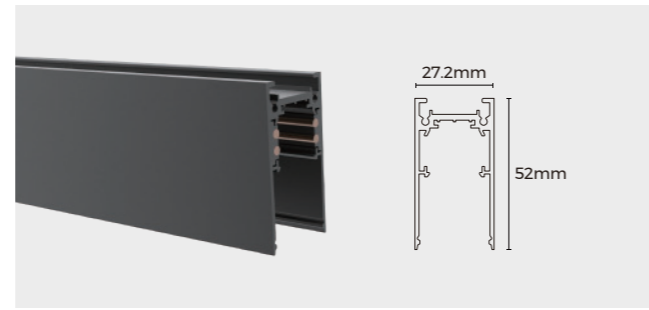


**NR-MS2X0** (X:1/2/3 M)

Installation: Ceiling / Pendant  
Material: AL6063-T5  
Coating: Black  
Size: 27.3×27.3×1000/2000/3000mm

Rated current: 12A

Operating Voltage	Maximum power
24V	300W
48V	580W



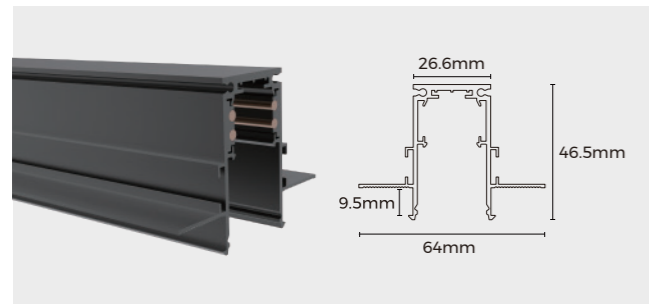
**NR-MH2X0** (X:1/2/3 M)

Installation: Ceiling / Pendant  
Material: AL6063-T5  
Coating: Black  
Size: 27.2×52×1000/2000/3000mm

Rated current: 12A

Operating Voltage	Maximum power
24V	300W
48V	580W

Trimless recessed track

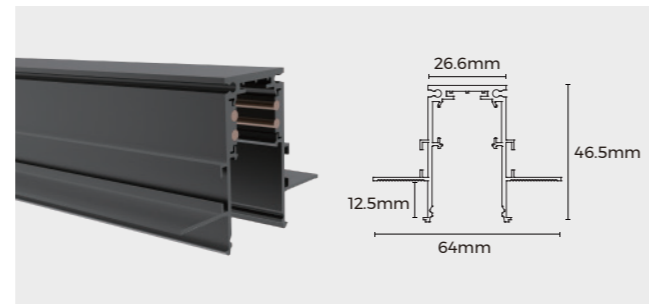


**NR-MR2X0(A)** (X:1/2/3 M)  
9.5mm gypsum board

Installation: Trimless recessed  
Material: AL6063-T5  
Coating: Black  
Size: 64×46.5×1000/2000/3000mm

Rated current: 12A

Operating Voltage	Maximum power
24V	300W
48V	580W

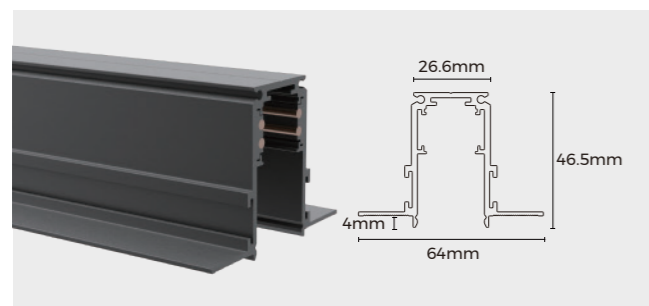


**NR-MR2X0(B)** (X:1/2/3 M)  
12.5mm gypsum board

Installation: Trimless recessed  
Material: AL6063-T5  
Coating: Black  
Size: 64×46.5×1000/2000/3000mm

Rated current: 12A

Operating Voltage	Maximum power
24V	300W
48V	580W



**NR-MR2X0(C)** (X:1/2/3 M)  
plastered

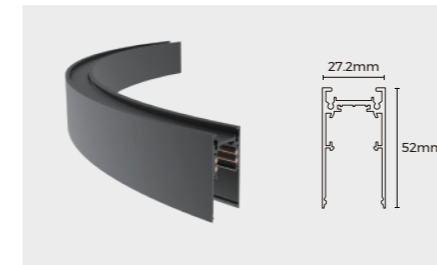
Installation: Trimless recessed  
Material: AL6063-T5  
Coating: Black  
Size: 64×46.5×1000/2000/3000mm

Rated current: 12A

Operating Voltage	Maximum power
24V	300W
48V	580W

## Curve track

Ceiling / Pendant track

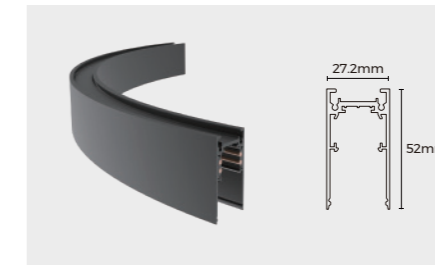


**NR-MH208A90**

Installation: Ceiling / Pendant  
Material: AL6063-T5  
Coating: Black  
Rated current: 7.5A

Operating Voltage	Maximum power
24V	180W
48V	360W

Size: 27.2×52×Φ800mm, 90°

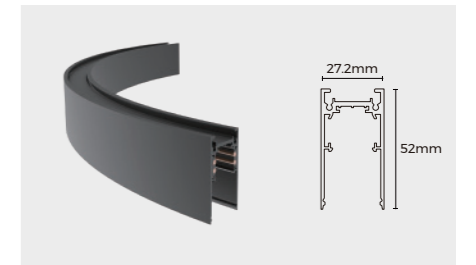


**NR-MH210A90**

Installation: Ceiling / Pendant  
Material: AL6063-T5  
Coating: Black  
Rated current: 7.5A

Operating Voltage	Maximum power
24V	180W
48V	360W

Size: 27.2×52×Φ1000mm, 90°



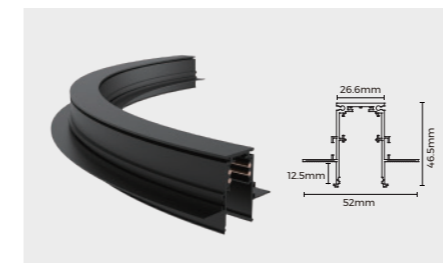
**NR-MH212A90**

Installation: Ceiling / Pendant  
Material: AL6063-T5  
Coating: Black  
Rated current: 7.5A

Operating Voltage	Maximum power
24V	180W
48V	360W

Size: 27.2×52×Φ1200mm, 90°

Trimless track (12.5mm gypsum board)

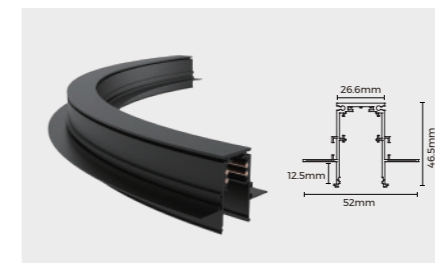


**NR-MR208A90(B)**

Installation: Trimless recessed  
Material: AL6063-T5  
Coating: Black  
Rated current: 7.5A

Operating Voltage	Maximum power
24V	180W
48V	360W

Size: 52×46.5×Φ800mm, 90°

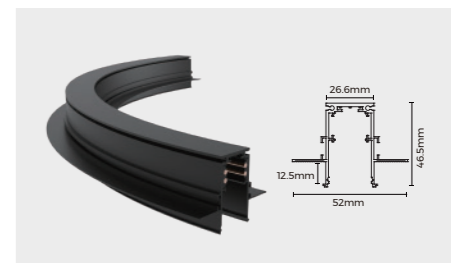


**NR-MR210A90(B)**

Installation: Trimless recessed  
Material: AL6063-T5  
Coating: Black  
Rated current: 7.5A

Operating Voltage	Maximum power
24V	180W
48V	360W

Size: 52×46.5×Φ1000mm, 90°



**NR-MR212A90(B)**

Installation: Trimless recessed  
Material: AL6063-T5  
Coating: Black  
Rated current: 7.5A

Operating Voltage	Maximum power
24V	180W
48V	360W

Size: 52×46.5×Φ1200mm, 90°

# Track accessories

## Electrical connection accessory



**Power feeder of track**  
Size: L147\*W19\*H17.3mm  
Applicable model: All staight track



**I-shaped electrical connector (recessed type)**  
Size: L70\*W11.5\*H2.1mm(Splicing bar)  
L78\*W19\*H17mm(Power feeder)



**I-shaped electrical connector (Surface)**  
Size: L55\*W22\*H4.3mm(Splicing bar)  
L78\*W19\*H17mm(Power feeder)



**Electrical connector**  
Size: L147\*W19\*H17.3mm  
Applicable model: All staight track corner

## Power supply



**Magnetic power**  
Model: MS20-NRRV100H48S-M  
Size: L248\*W22.5\*H46mm  
Input voltage: 220-240VAC  
Output: DC48V  
Power: 100W  
Applicable model: All staight track



**Magnetic power**  
Model: MS20-NRRV200H48S-M  
Size: L305\*W22.5\*H46mm  
Input voltage: 220-240VAC  
Output: DC48V  
Power: 200W  
Applicable model: All staight track



**Power supply**  
Size: L350\*W30\*H18mm  
Input voltage: 220-240VAC  
Output: DC48V  
Power: 100W  
Applicable model: All track



**Power supply**  
Size: L400\*W40\*H22mm  
Input voltage: 220-240VAC  
Output: DC48V  
Power: 250W  
Applicable model: All track

## End cap



Material: Aluminum  
Size: L52\*W27.2\*H5.5mm



Material: Aluminum  
Size: L46.5\*W27.5\*H5.5mm



Material: Aluminum  
Size: L27.6\*W27.5\*H2.5mm

## Intallation accessory



**Track bind cover**  
Model: CV-M20FB  
Material: PVC  
Size: L1000\*W25.7\*H5.6mm  
Applicable model: All staight track



**Ceiling accessory**  
Model: TLS-M271  
Material: SPCC  
Size: L67.5\*W31.5\*H7.5mm



**Pendant accessory**  
Model: TLS-M272  
Material: AL6063-T5  
Size: L30\*W22\*H4.3mm



**Ceiling screw**  
Model: CL-01  
Material: Fe  
Size: M3.5\*40mm

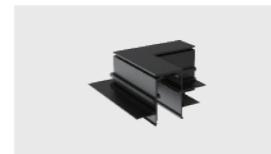
## Corner accessory



**L-shaped (Downward)**  
Model: L90-MR20(A)  
Material: AL6063-T5  
Size: L95\*W95\*H46.5mm



**L-shaped (Inward)**  
Model: L90N-MR20(A)  
Material: AL6063-T5  
Size: L80\*W80\*H64mm



**L-shaped (Downward)**  
Model: L90-MR20(B)  
Material: AL6063-T5  
Size: L95\*W95\*H46.5mm



**L-shaped (Inward)**  
Model: L90N-MR20(B)  
Material: AL6063-T5  
Size: L80\*W80\*H64mm



**L-shaped (Downward)**  
Model: L90-MR20(C)  
Material: AL6063-T5  
Size: L95\*W95\*H46.5mm



**L-shaped (Inward)**  
Model: L90N-MR20(C)  
Material: AL6063-T5  
Size: L80\*W80\*H64mm



**L-shaped (Downward)**  
Model: L90-MS20  
Material: AL6063-T5  
Size: L50\*W50\*H27.3mm



**L-shaped (Inward)**  
Model: L90N-MS20  
Material: AL6063-T5  
Size: L50\*W50\*H27.3mm



**L-shaped (Downward)**  
Model: L90-MH20  
Material: AL6063-T5  
Size: L50\*W50\*H52mm



**L-shaped (Inward)**  
Model: L90N-MH20  
Material: AL6063-T5  
Size: L80\*W80\*H27.2mm



**L-shaped Adjustable (Downward)**  
Model: L90-MH20(A)  
Material: AL6063-T5  
Size: L120\*W27.2\*H52mm



**T-shaped Adjustable (Downward)**  
Model: T90-MH20(A)  
Material: AL6063-T5  
Size: L120\*W60\*H52mm



**X-shaped Adjustable (Downward)**  
Material: AL6063-T5  
Size: L120\*W120\*H52mm  
Applicable model: TLS-MH2X0



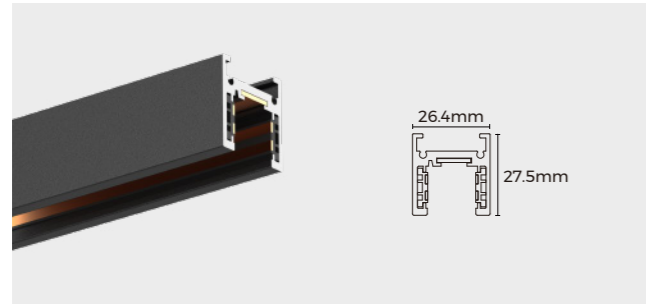
**CASAMBI Control**  
Size: 142.6\*18\*58.1mm  
Input voltage: 48VDC  
Output signal: DALI  
Output DALI Max.current: 180mA  
Control devices: ≤64

Control groups: ≤8  
Certification: CE, UKCA  
Others: Controller should be used with DALI dimming modules.

# Systematic lighting, Effortless assembly

## ECO Straight Track

Ceiling / Pendant track



**NR-ECO-MS2X0** (x:1/2/3 M)

Installation: Ceiling / Pendant

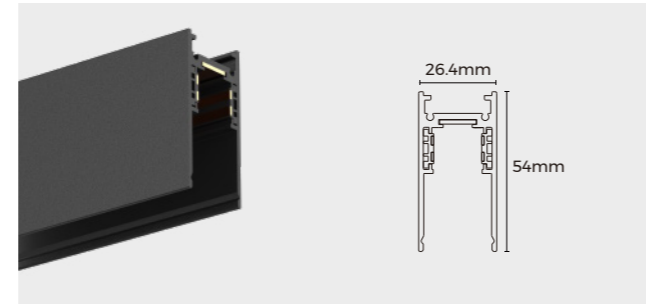
Material: AL6063-T5

Coating: Black

Size: 26.4×27.5×1000/2000/3000mm

Rated current: 7.5A

Operating Voltage	Maximum power
24V	180W
48V	360W



**NR-ECO-MH2X0** (x:1/2/3 M)

Installation: Ceiling / Pendant

Material: AL6063-T5

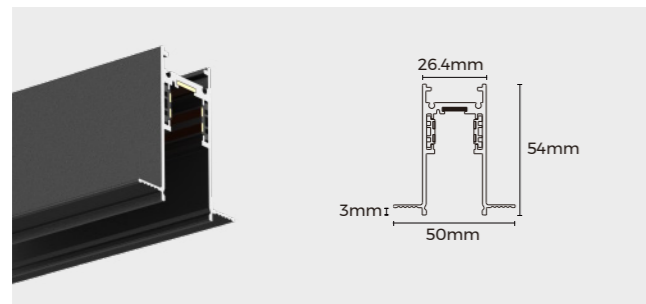
Coating: Black

Size: 26.4×54×1000/2000/3000mm

Rated current: 7.5A

Operating Voltage	Maximum power
24V	180W
48V	360W

Trimless recessed track



**NR-ECO-MR2X0** (x:1/2/3 M)

3mm gypsum board

Installation: Trimless recessed

Material: AL6063-T5

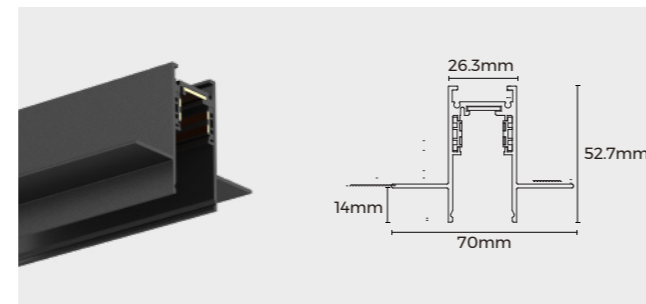
Coating: Black

Size: 50×54×1000/2000/3000mm

Opening Size: 30×1000/2000/3000mm

Rated current: 7.5A

Operating Voltage	Maximum power
24V	180W
48V	360W



**NR-ECO-MR2X0(A)** (x:1/2/3 M)

12.5mm gypsum board

Installation: Trimless recessed

Material: AL6063-T5

Coating: Black

Size: 70×52.7×1000/2000/3000mm

Opening Size: 30×1000/2000/3000mm

Rated current: 7.5A

Operating Voltage	Maximum power
24V	180W
48V	360W

## Track accessories

Electrical connection accessory



L-shaped (Downward)

Model: L90-ECO-MH20

Material: PC

Size: L99.5×W99.5×H46mm



L-shaped (Downward)

Model: L90-ECO-MS20

Material: PC

Size: L99.5×W99.5×H21mm



L-shaped (Downward)

Model: TLS-ECO-M281

Material: PC

Size: L143×W16.2×H17mm

ECO End cap



Model: EC-ECO-MH20

Material: PC

Size: L52×W26×H6.3mm



Model: EC-ECO-MS20

Material: PC

Size: L26.5×W21.2×H6.8mm

Intallation accessory



Pendant accessory

Model: TLS-ECO-M280

Material: AL6063-T5

Size: L33×W22.6×H2000mm

# Case



